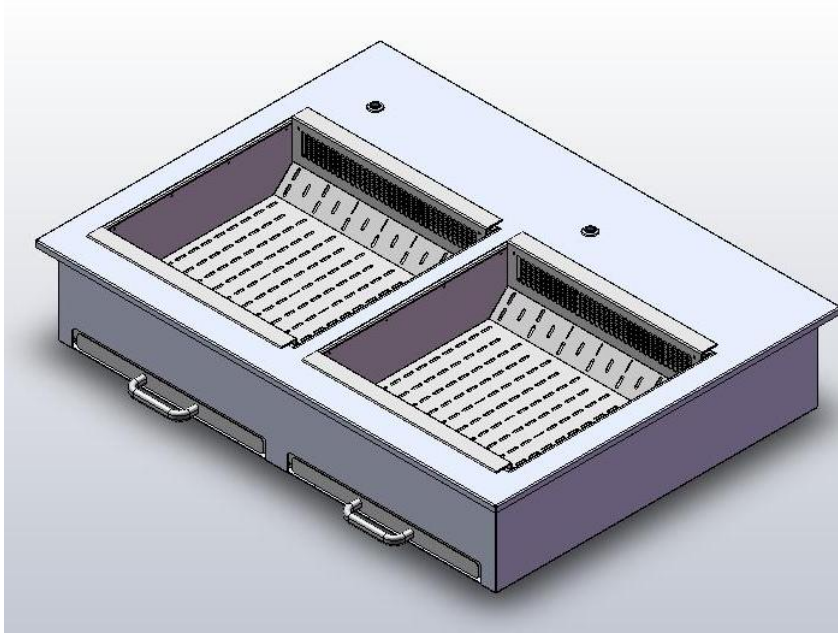


Double Counter Insert for two standard Fried Food Holder (FH 23-75)

Meister Cook's Double Counter Insert for two standard Fried Food Holder (FH 23-75) with double rim grease spillage shield, flush design for easy cleaning and easy access to crumb tray, easy removal and insert of standard FH-23-75 and splash cover with additional grease protection.

Designed and Manufactured in the USA.



Construction

Type 304 Stainless Steel

Overall Dimension

6.3 " H x 35.3" L x 26.4" D

Cutout Dimension

33.7" L x 24.8" D

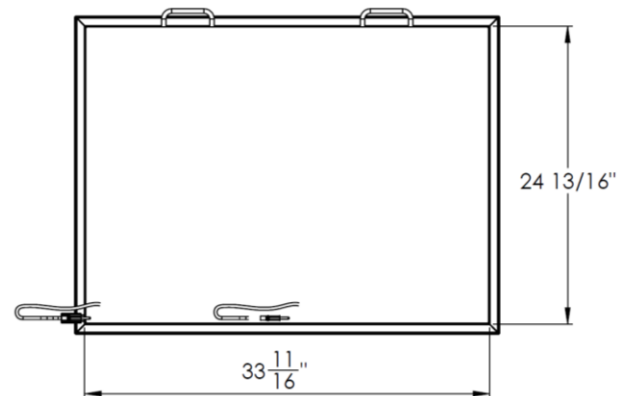
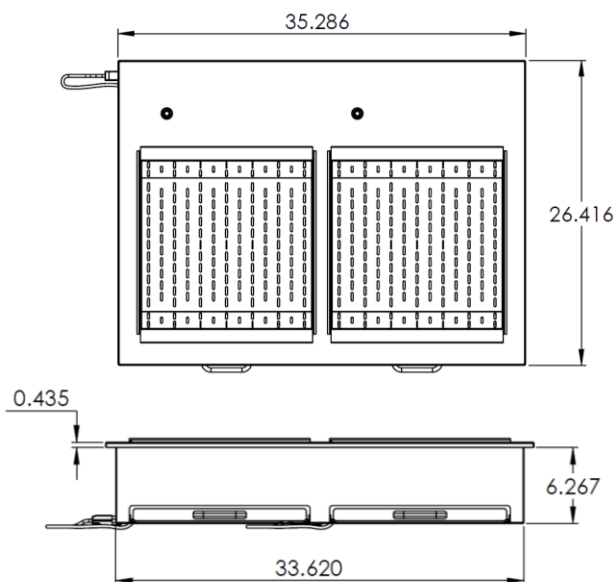
Weight

15 lbs

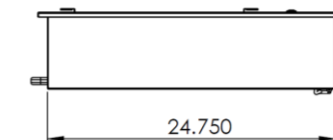
Utilized Technologies

- ◆ Esthetic flush design
- ◆ Use two standard FH 23-75
- ◆ Easy insert and removal of Fried Food Holders
- ◆ Double rim grease spill shield
- ◆ Splash cover with additional grease protection
- ◆ Easy access to crumb tray
- ◆ Protected On/Off indicator
- ◆ Only simple counter cutout required

Note: Specifications and information are subject to change without notice



RECOMMENDED COUNTER CUTOUT



MEISTER COOK, LLC

5316 Hopkinton Drive, Fort Wayne, Indiana 46814 • 260.233.0255

www.meistercook.com • info@meistercook.com

www.friedfoodholder.com