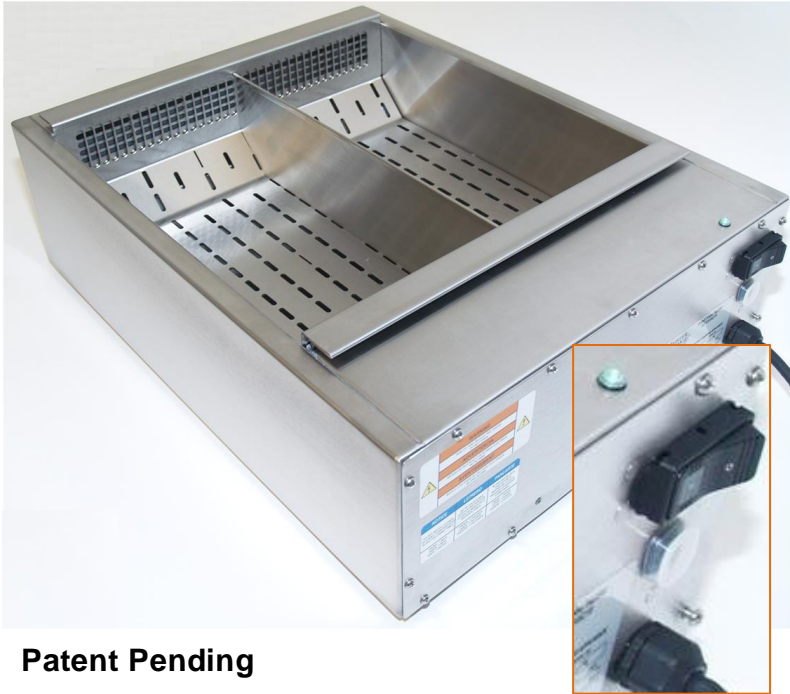
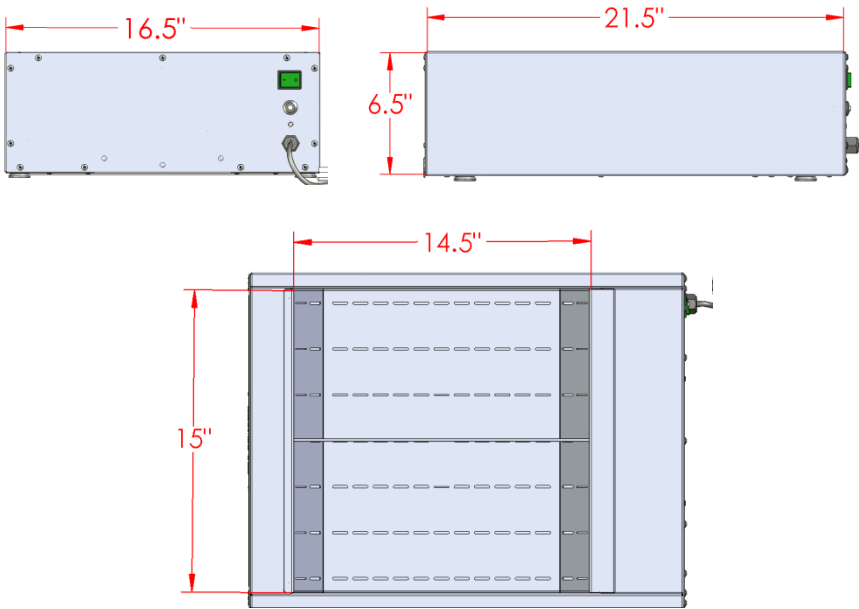


## Fried Food Holder (FH 23-75) with Indicator LED

Meister Cook's Fried Food Holder with ThermalBreeze™ Technology achieves high efficiency by generating a thermal curtain, hot convection air circulation and radiant heat from a single heat source. With ThermalRecovery™ Technology and double-safety temperature system it supports unit integrity and reliable performance. Intuitive features allow for easy servicing and quiet operation. Designed and Manufactured in the USA, Patent Pending.



Patent Pending



### Construction

Type 304 Stainless Steel

### Electric Power

775 Watt, 6.5 Amps, 120V, 1Ø

### Overall Dimension

6.5 " H x 21.5" L x 16.5" D

### Weight

39 lbs

### Pan Insert Size

2.5" H x 14.5" L x 15" D

### Utilized Technologies

- ◆ ThermalBreeze™ Technology with gentle re-circulating hot convection air
- ◆ Food Zone protection with hot air curtain
- ◆ High efficiency single heat source for radiant heat and hot convection air
- ◆ Double-safety with integral thermal fuse and hi-temp safety shutoff™
- ◆ Internal ThermalRecovery™ Technology safeguards extreme operating conditions
- ◆ All pull-out electric panel for easy service
- ◆ Extreme quiet operation
- ◆ Custom heater designed to optimize food holding, maintain food taste and structure
- ◆ Easy removal and cleaning of pan insert
- ◆ Pan insert with removable pan divider
- ◆ Easy positioning of pan divider for different compartment width

Note: Specifications and information are subject to change without notice



Tested, approved and listed by ETL as per UL 197, NSF 4 and CSA 22.2

MEISTER COOK, LLC

5316 Hopkinton Drive, Fort Wayne, Indiana 46814 • 260.233.0255

[www.meistercook.com](http://www.meistercook.com) • [info@meistercook.com](mailto:info@meistercook.com)

[www.friedfoodholder.com](http://www.friedfoodholder.com)