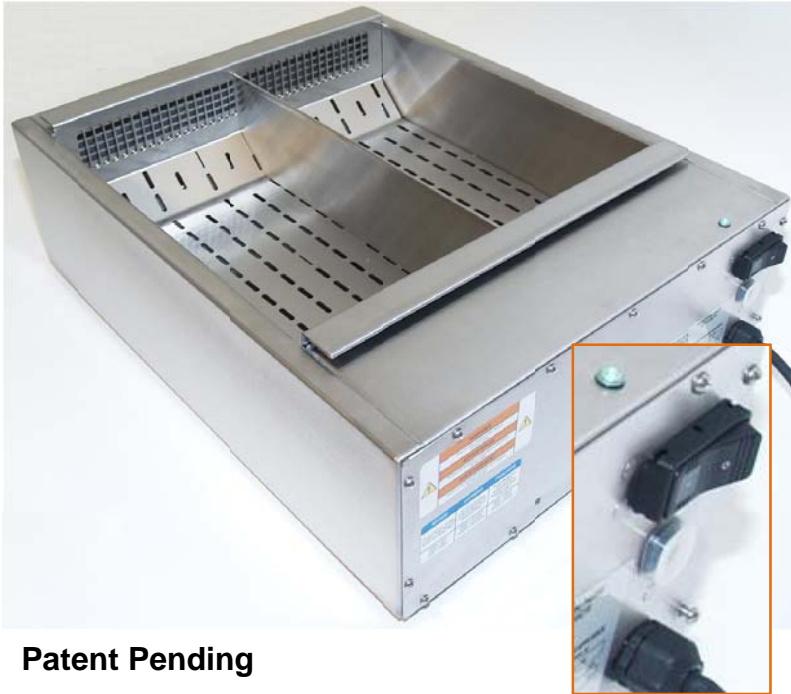
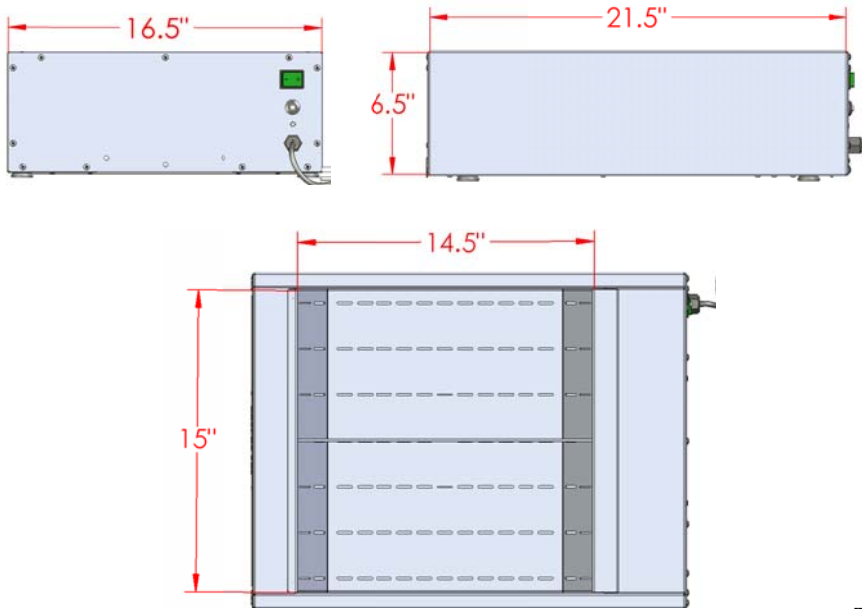


Fried Food Holder (FH 23-75) with Indicator LED

Meister Cook's Fried Food Holder with ThermalBreeze™ Technology achieves high efficiency by generating a thermal curtain, hot convection air circulation and radiant heat from a single heat source. With ThermalRecovery™ Technology and double-safety temperature system it supports unit integrity and reliable performance. Intuitive features allow for easy servicing and quiet operation. Designed and Manufactured in the USA, Patent Pending.



Patent Pending



Construction

Type 304 Stainless Steel

Electric Power

775 Watt, 6.5 Amps, 120V, 1Ø

Overall Dimension

6.5 " H x 21.5" L x 16.5" D

Weight

39 lbs

Pan Insert Size

2.5" H x 14.5" L x 15" D

Utilized Technologies

- ◆ ThermalBreeze™ Technology with gentle re-circulating hot convection air
- ◆ Food Zone protection with hot air curtain
- ◆ High efficiency single heat source for radiant heat and hot convection air
- ◆ Double-safety with integral thermal fuse and hi-temp safety shutoff
- ◆ Internal ThermalRecovery™ Technology safeguards extreme operating conditions
- ◆ All pull-out electric panel for easy service
- ◆ Extreme quiet operation
- ◆ Custom heater designed to optimize food holding, maintain food taste and structure
- ◆ Easy removal and cleaning of pan insert
- ◆ Pan insert with removable pan divider
- ◆ Easy positioning of pan divider for different compartment width

Note: Specifications and information are subject to change without notice



Tested, approved and listed by ETL as per UL 197, NSF 4 and CSA 22.2

MEISTER COOK, LLC

5316 Hopkinton Drive, Fort Wayne, Indiana 46814 • 260.233.0255

www.meistercook.com • info@meistercook.com

www.friedfoodholder.com